

# HEAVY



## Heavy FV51 6x4.

MANUAL or AMT / MECH SUSP. / MWB



**40,000 KM SERVICE INTERVALS**

**GVM**

---

25,400<sub>KG</sub>

---

**GCM**

---

50,000<sub>KG</sub> To  
53,000<sub>KG</sub>

---

**Power/Torque**

---

360<sub>HP</sub> / 1,850<sub>NM</sub> To  
455<sub>HP</sub> / 2,200<sub>NM</sub>

---

- Heavy rigid licence required

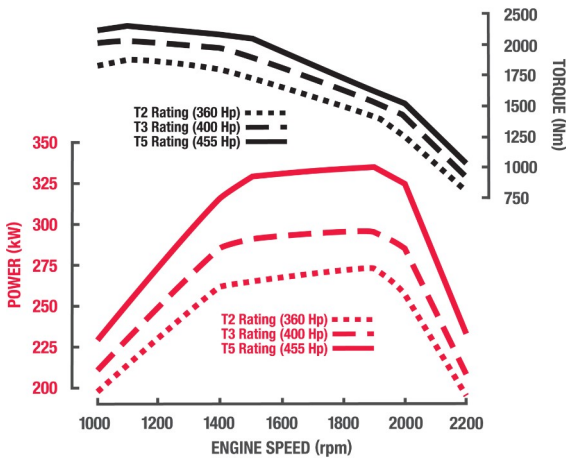
# SPECIFICATIONS

**FUSO**

**HEAVY**

MODEL	WHEEL BASE	GVM (optional)	GCM (optional)
A 6x4 FV51 360hp MWB 13 Sp. MAN (FV51SK2FAA)	4300mm	25,400kg	50,000kg
B 6x4 FV51 360hp MWB 12 Sp. AMT (FV51SK2VFAA)	4300mm	25,400kg	50,000kg
C 6x4 FV51 400hp MWB 12 Sp. AMT (FV51SK3VFAA)	4300mm	25,400kg	50,000kg
D 6x4 FV51 455hp MWB 12 Sp. AMT (FV51SK5VFAA)	4300mm	25,400kg	53,000kg

Engine			
Engine Version	A B	C	D
	FUSO OM457-T2 Diesel	FUSO OM457-T3 Diesel	FUSO OM457-T5 Diesel
Configuration	6 Cyl. In-line OHV		
Type	Waste-gate Turbocharged with Air to Air Intercooled		
Displacement	12 litre (11967cc)		
Bore	128mm		
Stroke	155mm		
Power (DIN)	A B	C	D
	265kW @ 1900 rpm	295kW @ 1900 rpm	335kW @ 1900 rpm
Torque (DIN)	A B	C	D
	1850Nm @ 1100 rpm	2000 Nm (1475 lb.ft) @ 1100 rpm	2200 Nm (1622 lb.ft) @ 1100 rpm
Maximum Engine Speed	2100 rpm		
Cooling System / Oil Cooler	Water cooled, 32.0L capacity/ Plate type engine oil cooler		
Air Cleaner	Paper Element Type with Restrictor Indicator. Vertical Intake Mounted on Clean Air Side (RH)		
Emission Control	Selective Catalytic Reduction (SCR)		
Emission Level	ADR 80/03 - Euro 5		



Fuel	
Injection System	Electronically Controlled Unit Pump Injection
Tank Type	Rectangular Alloy Tank with Locking Cap
Fuel Capacity *	400 Litres
Filtration	Filter with Water Separator and Dash Indicator
AdBlue Exhaust Fluid Capacity	40 Litres, Tank fitted with locking AdBlue cap
Speed Limiter	Speed Limited 100km/h
Notes	*Max Fill to approx 95% of Air Capacity

Cooling	
Fan Drive	Thermo modulated continuous control (Viscous)
Radiator	Corrugated Fin with Expansion Tank

Electrical	
Voltage	24V Negative Ground
Alternator Capacity	24V-80 amp
Starter Capacity	24V-7.0kW
Battery Capacity	2x12V, 150Ah/20hr
Battery Specification	2x145G51 (N150)
Headlamp Type	Halogen
Headlamp Capacity	Low beam 2x70W High beam 2x70W
Fog Light	Halogen

Clutch		
Clutch Model	A	B C D
	FUSO C14W40P	FUSO C12W43P
Type	A	B C D
	Twin Dry Plate	Single Plate
Operation/Specification	A	B C D
	Air Assisted Hydraulic	Automated Manual (no clutch pedal)

Transmission		
Version	A	B C D
	Eaton Manual RTLO-14913	FUSO Automated Manual G230-12
Type/Speeds	A	B C D
	13 Speed Constant Mesh	12 Speed Automated Manual with Auto and Manual Modes
Features	A	B C D
	Counter-shaft Brake Oil Cooler	Crawler Mode Skip Shift Function for Light Loads ECO Mode to Minimise Fuel Usage
Ratios	A	B C D
	1st: 12.310 2nd: 8.640 3rd: 6.110 4th: 4.430 5th: 3.230 6th: 2.290 7th: 1.950 8th: 1.620 9th: 1.380 10th: 1.170 11th: 1.000 12th: 0.860 13th: 0.730 RHigh: 3.500 RLow: 13.220	1st: 11.672 2nd: 9.101 3rd: 7.055 4th: 5.501 5th: 4.400 6th: 3.430 7th: 2.652 8th: 2.068 9th: 1.603 10th: 1.250 11th: 1.000 12th: 0.779 RHigh: 9.101 RLow: 11.673 Torque limited to 1775Nm from 1st to 3rd and Reverse
PTO Opening	A	B C D
	Lower Transmission	LH Side and Rear of XMSM

Propeller Shaft	
Type	Single Main Shaft GW5E2200 Inter-axle Shaft P12

Front Axle	
Axle Version	FUSO F090T
Type	Reverse Elliot 'I' Beam
Capacity *	7500kg
Notes	*See MAX LOADING for vehicle capacity.

Front Suspension	
Type	Long Taper Leaf with Double Acting Shock Absorbers
Size	1500x90mm Leaves

Rear Axle		
Type	Full Floating Hypoid Type Tandem Drive with Inter-Axle Diff Lock	
Axle Version	FUSO R10/D10	
Capacity*	21600kg	
Ratio	A	B C D
	5.142:1	4.625:1
Notes	*See MAX LOADING for vehicle capacities	

# SPECIFICATIONS

**FUSO**

# HEAVY

MODEL	WHEEL BASE	GVM (optional)	GCM (optional)
A 6x4 FV51 360hp MWB 13 Sp. MAN (FV51SK2FAA)	4300mm	25,400kg	50,000kg
B 6x4 FV51 360hp MWB 12 Sp. AMT (FV51SK2VFAA)	4300mm	25,400kg	50,000kg
C 6x4 FV51 400hp MWB 12 Sp. AMT (FV51SK3VFAA)	4300mm	25,400kg	50,000kg
D 6x4 FV51 455hp MWB 12 Sp. AMT (FV51SK5VFAA)	4300mm	25,400kg	53,000kg

## Rear Suspension

Type	Mechanical Suspension
Details	Long Leaf Taper, 6 Rod Trunnion
Size Main Leaves	1320x90mm

## Max Loading

Front	6500kg
Rear	21600kg
Total	25400kg

## Options

Options	<b>A B C</b> R51: Flywheel (Live Drive) PTO	<b>D</b> R54: Limited Slip Differential (LSD) for Both Diffs
---------	--	---

## Steering

Type	Integral Ball and Nut
Steering Column	Tilt/Telescopic Adjustable

## Brakes

Type	Full Air, Dual Circuit with FUSO Taper Rollers, ABS plus ASR (Anti Slip Regulator)
Size Front	410x150mm
Size Rear	410x200mm
Park Brake	Rear Wheel Spring Actuated
Engine	Constant Throttle Brake 4 Levels of Retardation
Trailer	Hand Control Valve, Air Lines Coupling and Electrical Cable

## Wheels & Tyres

Wheel Type	<b>A B C</b> 11, Single Piece Steel Disc (Including Spare)	<b>D</b> 11, Single Piece Alloy Disc (Including Spare)
Wheel Size	22.5x8.25DC	
Wheel Stud Pattern	10x335mm PCD	
Tyre Size Front	295/80R22.5 152/148	
Tyre Size Rear	11R22.5 148/145	
Tyre Size Spare	295/80R22.5 152/148	
Spare Tyre Carrier	Not Provided	

## Chassis

Type	Reinforced Parallel Channel
Size	300x90x7.0 mm
Width	840 mm
Tensile Strength	540MPa

## Instruments

Gauges	Speedometer with Odometer Tachometer Air Pressure (2) Fuel Level Water Temperature AdBlue Level	
Colour Information Display	Fuel Consumption Service Indicators Hour Meter and Tripmeter Oil Level Check	
Warning Lamps	<b>A</b> ABS ASR Turn Signal High Beam Engine Brake Brake Fog Lamp All Major System Faults Oil Level Ad Blue Low Alternator Differential Lock Cruise Control Cab Tilt Lock	<b>B C D</b> ABS ASR Turn Signal High Beam Engine Brake & Shift Down Brake Fog Lamp All Major System Faults Oil Level Ad Blue Low Alternator Differential Lock Cruise Control Cab Tilt Lock
Warning Lamp/Buzzer	Air Pressure Oil Pressure Hill Start Park Brake Engine Overrun Engine Overheat / Low Coolant Level	

## Multi-Media Package

Satellite Navigation	Maps with heavy vehicle weight, length, height & hazardous material selectable restrictions with 3 years of Map updates
Colour Display	6.1 inch LCD with touch screen control
Phone Connectivity	Bluetooth® hands free
Audio Visual Entertainment	CD/DVD player Digital radio DAB+ (also AM/FM for areas not covered by DAB+)
Reversing Camera Compatible	Display can accept up to 3 cameras#
Notes	# Cameras available through spare parts

## Standard Features

Airbag(s)	Driver's Air Bag and Seat Belt Pre-tensioners	
Hill Start System	<b>A</b> No	<b>B C D</b> Yes
Cab Cooling & Heating	Climate Control	
Accessory Power	24V Accessory Power Outlet / Cigar Lighter	
Driving	Suspended Driver's Seat Central Locking Electric Windows Cruise Control (range 40 to 100km/h) LH Transom Window Opening Rear Quarter Glass Cup Holder Fluorescent Cabin Lamp Trailer Package including Trailer 'Stretch Brake'	
Storage	Centre Storage Console Dash Storage Tray 2 DIN Driver's Overhead Storage Coat Hooks	
Cab: External	Fog Lights Door Side Impact Beams Roof Mounting Points (max. static load 70kg) Front End-Outline Marker Lamps	
Chassis	Integrated Front Underrun System (FUPS) Reverse Warning Buzzer Clear Top of Chassis Rail for ease of Body Fitment	

# SPECIFICATIONS

**FUSO**

**HEAVY**

MODEL	WHEEL BASE	GVM (optional)	GCM (optional)
A 6x4 FV51 360hp MWB 13 Sp. MAN (FV51SK2FAA)	4300mm	25,400kg	50,000kg
B 6x4 FV51 360hp MWB 12 Sp. AMT (FV51SK2VFAA)	4300mm	25,400kg	50,000kg
C 6x4 FV51 400hp MWB 12 Sp. AMT (FV51SK3VFAA)	4300mm	25,400kg	50,000kg
D 6x4 FV51 455hp MWB 12 Sp. AMT (FV51SK5VFAA)	4300mm	25,400kg	53,000kg

Cab Features	
Type	All Steel Forward Control Electric / Hydraulic Tilt Cab
Cab Structure	ECE-R29 Standard
Mounting	Air Suspended Front and Rear
Colour	Natural White
Windscreen Wipers	2 Speed + Intermittent Cycle with Integrated Washer Nozzles
Rear Vision Mirrors	2 x External Flat Main Mirrors Plus Convex Spotters Motorised Main Mirrors, All Mirrors Heated
Seating Capacity	A B C D 3 2
Seat Belts	Lap Sash Belts for Outside Seating Positions Lap Belt for Centre Seat
Seat (driver)	Suspended (ISRI)
Seats (passenger)	A B C D 2 Fixed Single Fixed
Sleeping	ADR42/04 Approved Sleeping Berth (455hp Only)

Service Intervals	
Interval*	40,000km or 12 Months (whichever occurs first)
Notes	* based on normal operating conditions and may be reduced when operating under severe conditions.

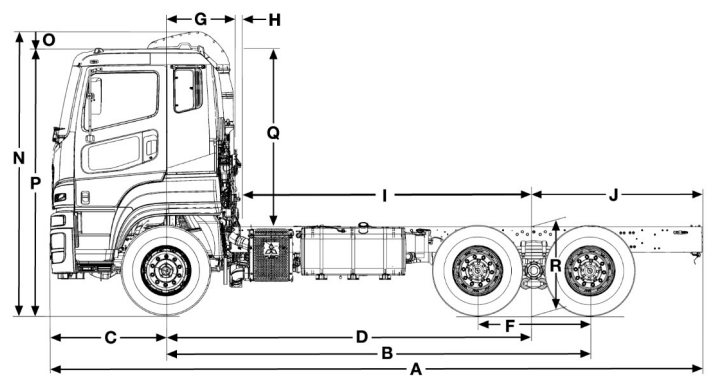
Warranty	
Basic/Powertrain	5 Years or 500,000kms (whichever occurs first)
Cab Perforation/Anti Corrosion	5 Years

Performance	
Turning Circle (kerb to kerb - metres)	15.0
Electronically Speed Limited to:	100km/hr Conforms to ADR65/..
Engine Speed (rpm) at 100km/hr (top gear)	A B C D 1970 1891
Gradeability at Rated GCM (theoretical)*	A B C D 40% 24% 30%
Notes	*This is theoretical performance only. Actual performance may vary under different conditions

Mass (estimated)*	
Front*	A B C D 4505kg 4365kg 4407kg 4340kg
Rear*	A B C D 3505kg 3470kg 3432kg 3360kg
Total*	A B C D 8010kg 7835kg 7839kg 7700kg
Notes	* Mass (est.) includes oil and water but excludes spare wheel, tools & fuel. Weights provided are subject to 3.5% variation (+/-)

Dimensions (mm)	
WFF (Width Front Fender) (mm)	2490
WRA (Width Rear Axle) (mm)	2470
WFT (Width Front Track) (mm)	2055
WRT (Width Rear Track) (mm)	1850
Width Frame (mm)	840
A - Length Overall (mm)	7640
B - Extreme Axle Spacing (mm)	4960
C - Front Overhang (mm)	1370
D - Wheelbase (mm)	4300
F - Rear Axle Spacing (mm)	1320
G - Front Axle to Rear of Cab (mm)	700
H - Rear of Cab to Rearmost Item Behind Cab (mm)	183
I - Rearmost Item Behind Cab to Rear Axle (mm)	3417
J - Frame, Rear Axle to End (mm)	1970
N - Height Overall (mm)	3303
O - Air Intake to Cab Roof (mm)	205
P - Height Cab to Ground (mm)	3098
Q - Height Cab to Frame (mm)	2090
R - Height Rear Frame to Ground (mm)	1058

Body Builder's Notes	
Notes	Chassis reinforcement must be utilised for Tipper/Demountable type body configurations. To conform with ADR 13/00 (lighting requirements) the following must be adhered to at body installation. - If other than a flat type or tipper body is fitted, rear end out-line marker lamps must be installed. - If overall length exceeds 6.0 metres, side reflectors must be installed. - If overall length exceeds 7.5 metres, side marker lamps must be installed. To conform with ADR 42/04 (General Safety), rear wheel guards must be fitted to the vehicle.



# SPECIFICATIONS

**FUSO****HEAVY**

	<b>MODEL</b>	<b>WHEEL BASE</b>	<b>GVM (optional)</b>	<b>GCM (optional)</b>
A	6x4 FV51 360hp MWB 13 Sp. MAN (FV51SK2FAA)	4300mm	25,400kg	50,000kg
B	6x4 FV51 360hp MWB 12 Sp. AMT (FV51SK2VFAA)	4300mm	25,400kg	50,000kg
C	6x4 FV51 400hp MWB 12 Sp. AMT (FV51SK3VFAA)	4300mm	25,400kg	50,000kg
D	6x4 FV51 455hp MWB 12 Sp. AMT (FV51SK5VFAA)	4300mm	25,400kg	53,000kg



## Call 1800 033 557

or visit [fuso.com.au](http://fuso.com.au)

Unless specified in writing herein the accessories, applications, bodies or equipment depicted in this document are for illustration purposes only and may not be available from Daimler Truck and Bus Australia Pacific Pty Ltd. (ABN 86 618 413 282) (DTB). No representation or warranty whatsoever is given in relation to any accessories, applications, bodies or equipment or suitability of same that are shown herein that may be manufactured, supplied or fitted by a party other than DTB. DTB reserves the right without notice or obligation to discontinue or make changes to the colour, designs, materials and specifications of the products and options referred to herein at any time. For the most current information and in order to ascertain which accessories, applications, bodies and equipment are available from DTB please contact your authorised FUSO Truck and Bus dealer. Fuso is a registered trademark of Daimler Truck and Bus Australia Pacific Pty Ltd. Copyright DTB. Reproduction in whole or part prohibited without written approval. Part Number TSH51E-SSV4. Valid from 01-Oct-18.